

mtl



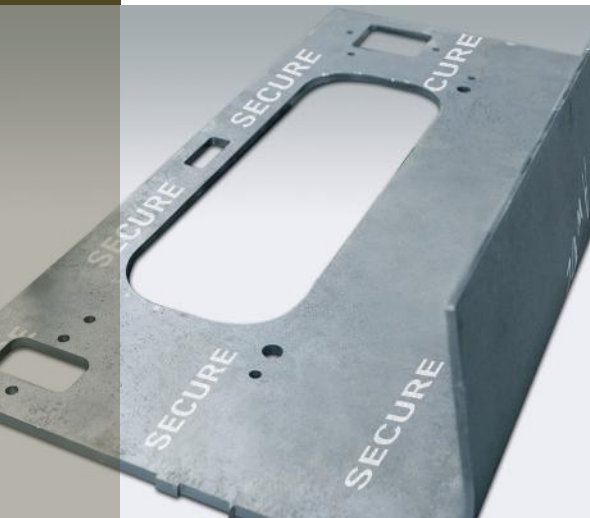
DEFENCE & SECURITY

DEFENCE & SECURITY

VEHICLE ARMOUR | INFRASTRUCTURE PROTECTION

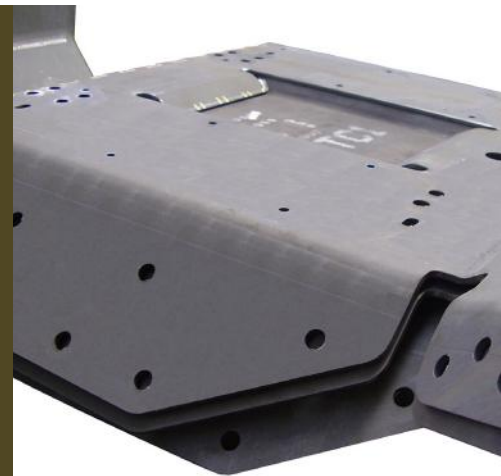
mtl supports its customers by taking an existing platform or concept and developing this through prototyping, blast/ballistic validation and volume manufacture. mtl can provide steel, aluminium and titanium armour parts. We can create fully fabricated, painted and assembled vehicle hulls.

DFM DESIGN FOR MANUFACTURE



Our DFM team has over 30 years' experience in both design and blast & ballistic protection. At mtl we utilise the latest design & simulation software and can accommodate CATIA, SOLIDWORKS etc.

MTL is a partner of choice for many major defence OEM's. These global OEM's have saved several million pounds over the past few years as a result of using our DFM service.



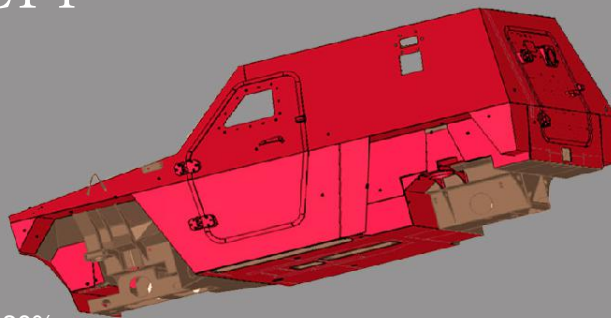
DFM PROJECT 1

Armoured Hull

- Original design in multiple pieces
- High welding content
- Complicated assembly process

DFM Review

- Piece parts reduced by 30%
- Increased protection
- Reduced cost & weight



DFM PROJECT 2

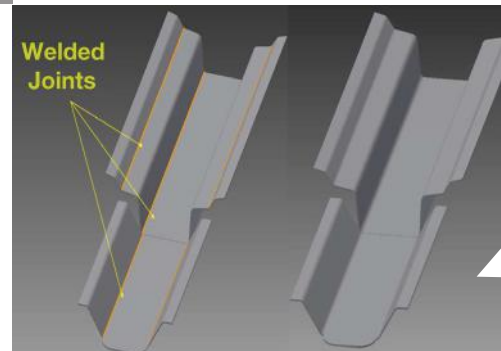
Firewall

- Original design in multiple pieces
- Tolerance hard to achieve
- Lower protection due to welding

DFM Review

- New design now in one piece
- Enhanced protection
- Reduced cost & weight

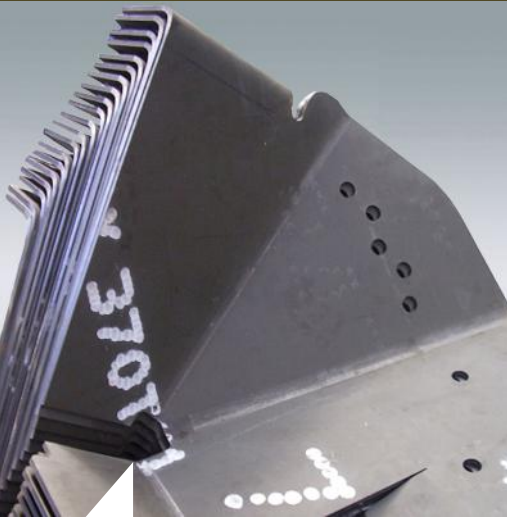
lighter,
stronger,
better protected,
lower cost.



We are accredited to the global industry standards which include ISO 9001:2015, ISO 3834-2, TL 2350-000.

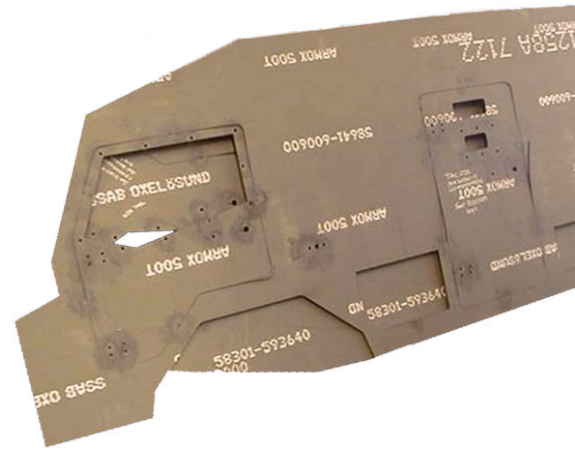


FS 605930



VEHICLE KITS

MTL has won several high profile contracts to supply specialist armoured fabrications. Projects typically use a variety of our capabilities including waterjet & laser cutting, machining, fabrication, painting and kitting.



STOCK

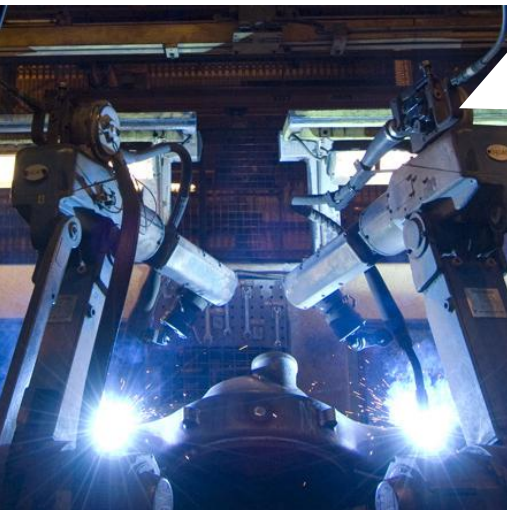
We have a wide range of material in stock at any given time, plus easy access to strategic stock from all European and American mills. We stock everything from quenched and tempered steels, armoured steels, aluminium and titanium, all ready for processing.



COLD FORMING

Our knowledge of cold forming armoured steels allows us to work with our customers to reduce the number of parts by pressing areas which have historically been welded.

We have the capability to press components up to 7.2m in length and up to 640 tonnes.



ROBOTIC WELDED HULLS

High volume hull manufacture is a specialist service offered by mtl through the use of our robotic welding system. This system ensures a 90 degree down weld on each ballistic joint. Through utilisation of this technology, we can create significant cost savings for the defence industry.



DFM PROJECT 3

8x8 Vehicle Hull Floor

- Originally in 11 pieces
- Multiple weak points
- Expensive to manufacture

DFM Review

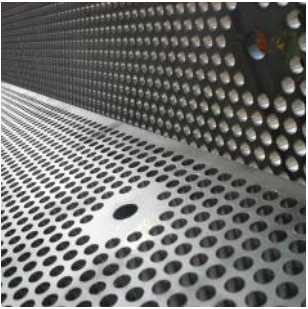
- New design now in one piece
- Protection levels increased
- Reduced cost & weight





SURVIVABILITY

Our team has its own survivability expert with over 25 years' experience and can offer advice on different metallic based solutions for both blast & ballistic applications as well as add-on armour integration.



IMPAS[®]

WEIGHT SAVING PROTECTION

IMPAS has been developed as a light weight steel armour solution for both hull build and add-on armour panels.

IMPAS has an excellent multi-hit capability compared with ceramic and composite materials. Bespoke panels can be manufactured to any shape or size and delivered rapidly with no restrictions or minimum order quantities. Our systems are currently in service on various vehicle platforms around the world.

ADVANTAGES

- > Protection up to STANAG L5
- > Excellent multi-hit capability
- > Rapid manufacture
- > Lower cost than ceramic composites
- > Weight comparable to ceramics
- > No restriction on panel size
- > No minimum order size
- > Panels can be supplied cold formed
- > Panels can be machined and welded



Capability

HI-TECH MANUFACTURING IN-HOUSE



WELDING & FABRICATION

- > 150 skilled welders/fabricators
- > 13 robotic welding cells



Our Messer bevel laser is the largest in the UK and is able to cut bevel weld preps up to 20m long & 25mm thick, resulting in major cost savings for our global customer base.

PRESSING

Our robotic press handling system is 5x faster than a manual press.

The angle checking device can achieve +/- 0.5 degree accuracy, ensuring consistent precision.

We have 25+ press brakes in-house.



Robotic press handling system

LASER & PLASMA CUTTING

- > 25+ Laser Cutting Machines
- > 3 High-Definition Plasma Cutters
- > 3 Tube Lasers
- > 1 Robotic Plasma Tube Cutter



WATERJET CUTTING

- > 3 dynamic waterjet machines
- > Cut any material up to 200mm thick
- > Accuracy that matches machined tolerances of +/- 0.1mm



SURFACE TREATMENT & FINISHING

- > Powder Coating
- > 2 automatic reciprocators
- > 4 stage in-line pre-treatment plant
- > Shot Blasting
- > Wet Painting



MACHINING

- > 33,000 sq. ft. factory
- > 40+ CNC machining centres
- > CNC turning
- > CNC milling

MTL Advanced at a glance

600,000 SQ FT
of Manufacturing Floorspace



900

Highly Skilled Staff

10

Manufacturing Sites

15

Specialist Divisions



150 Skilled Welders



75 Apprentices

30+ Profiling Machines

25+ Press Brakes

40+ CNC Machines

13 Robot Welders

mtl

MTL Advanced Ltd
Grange Lane,
Brinsworth
Rotherham,
S60 5AE

t: +44 (0)114 261 7979
e: contact@mtladv.com
www.mtladv.com

part of

WEC
GROUP

WEC Group
Britannia House,
Junction Street,
Darwen, Lancashire,
BB3 2RB

t: +44 (0)1254 773718
e: info@wecl.co.uk
www.wec-group.com

